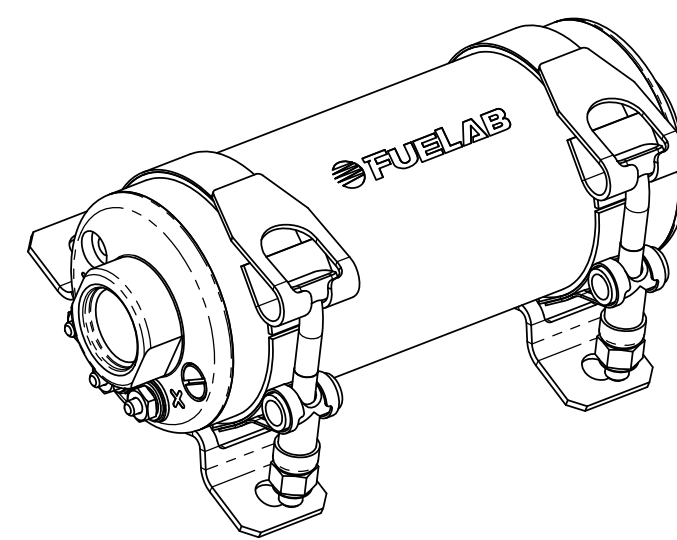
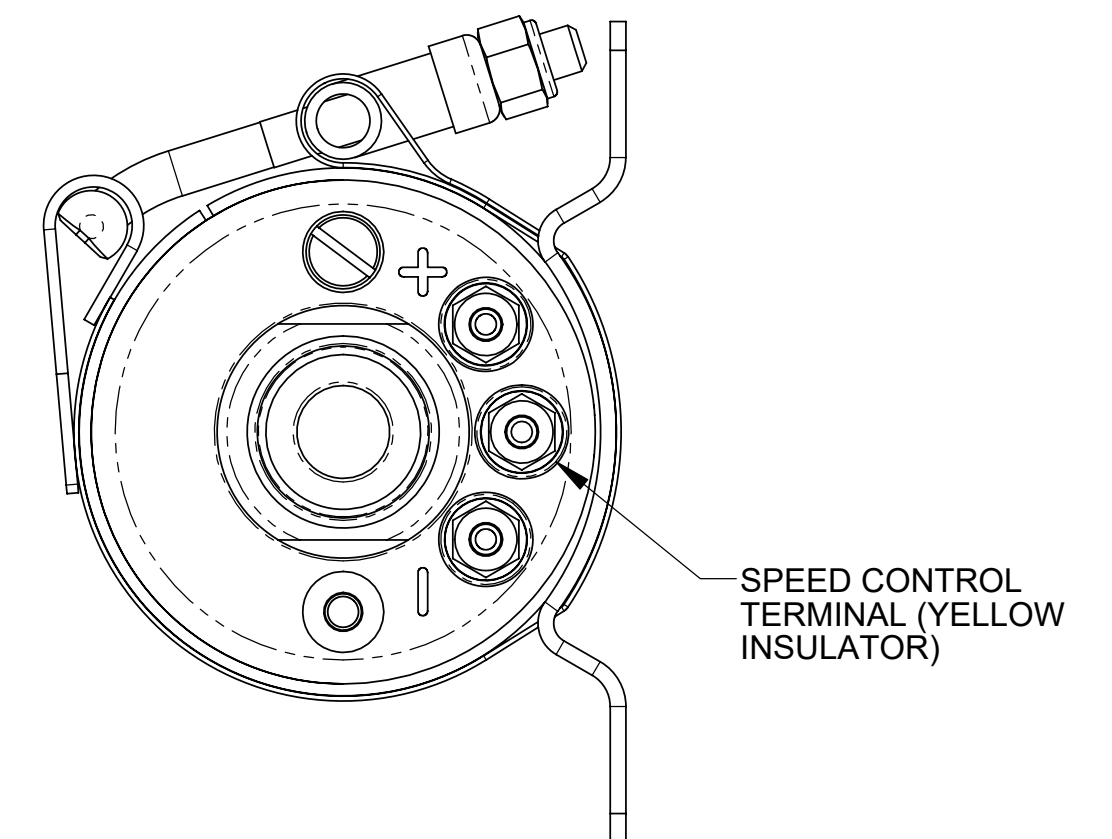
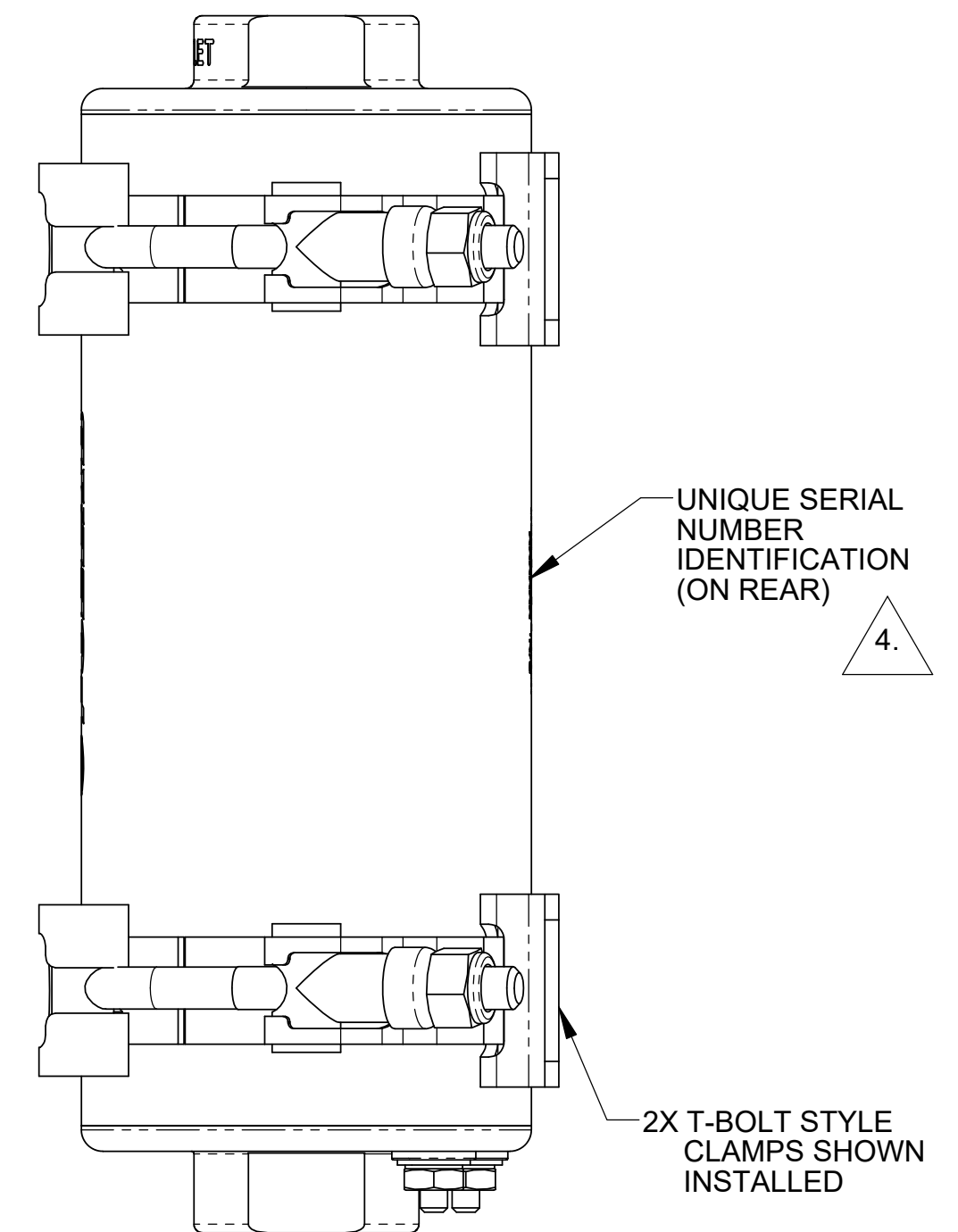
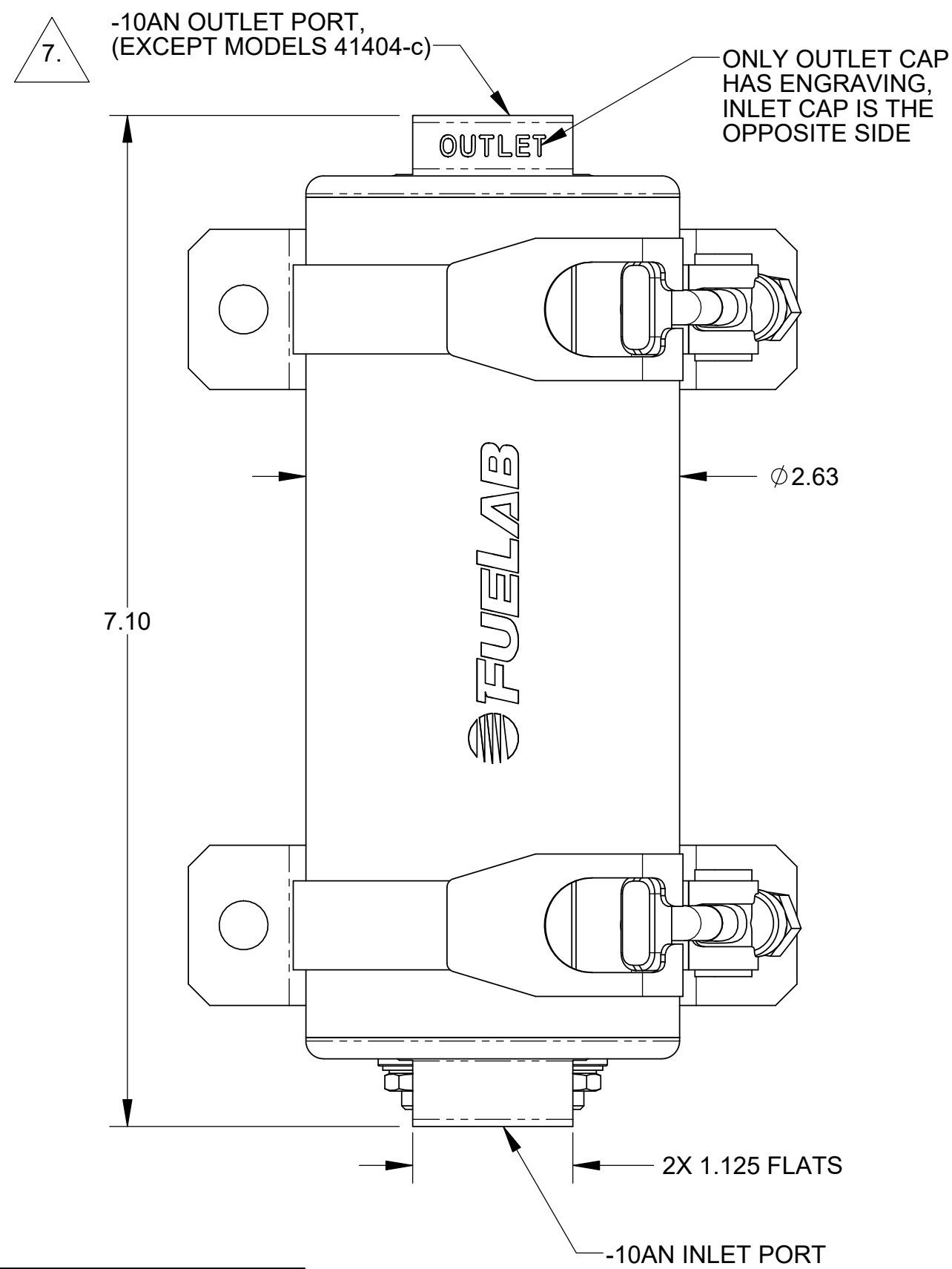


NOTES:

1. THIS DRAWING DESCRIBES THE FUELAB 414xx SERIES ELECTRONIC FUEL PUMP. UNLESS OTHERWISE SPECIFIED, ALL VIEWS ARE MODELS 41401-c, 41402-c OR 41403-c.
2. FEATURES INCLUDE:
 - THREE PHASE DC BRUSHLESS MOTOR WITH NEODYMIUM MAGNETS
 - INTEGRATED ELECTRONICS WITH SPEED CONTROL
 - WET MOTOR DESIGN, WITHOUT DYNAMIC SHAFT SEALS
 - BILLET ALUMINUM, STAINLESS STEEL CONSTRUCTION WITH FLUOROSILICONE SEALS
 - STANDARD T-BOLT STAINLESS STEEL BRACKETS INCLUDED
3. FUEL COMPATIBILITY INCLUDES:
 - GASOLINE (PUMP OR RACE)
 - METHANOL
 - ETHANOL (INCLUDING E85)
 - DIESEL
4. UNIQUE SERIAL NUMBER DOES NOT CONTAIN DIRECT INFORMATION IN DETERMINING MODEL NUMBER. CONTACT FUELAB FOR DETERMINATION OF MODEL NUMBER BASED ON SERIAL NUMBER.
5. TWO (2) T-BOLT STAINLESS STEEL BRACKETS, O-RINGS, INSTRUCTIONS AND PERFORMANCE CERTIFICATION INCLUDED, BAGGED SERPARATELY FROM PUMP.
6. 8-32 VOLT OPERATING RANGE, USE ONLY 12 VOLT (6 CELL LEAD ACID BATTERY) VEHICLE SYSTEMS WITH OR WITHOUT CHARGING SYSTEM, OR 24 VOLT (12 CELL LEAD ACID BATTERY) VEHICLE SYSTEMS WITHOUT CHARGING SYSTEM.
7. MODEL 41404-c SAME AS 41403-c, EXCEPT HAVING EXTERNAL BYPASS VALVE WITHIN OUTLET CAP. MAXIMUM PRESSURE RATING FOR MODEL 41404-c IS A DEAD HEAD CONDITION (ZERO FLOW). ALL OTHER PUMP MODELS REQUIRE BYPASS REGULATOR OR RELIEF VALVE TO AVOID OVER-PRESSURE OPERATING CONDITION.
8. REFERENCE DRAWING 1100202A1 FOR ASSEMBLY INSTRUCTIONS.
9. SEE TABLES BELOW FOR DETERMINATION OF DESIRED MODEL NUMBER



MODEL SELECTION TABLE

MODEL	FLOW RATING, AT 13.5v	FLOW RATING, AT 13.5v	MAX. PRESSURE
41401-c	125 GPH AT 45 PSI	473 LPH AT 3 BAR	125 PSI (8.5 BAR)
41402-c	145 GPH AT 45 PSI	549 LPH AT 3 BAR	100 PSI (6.8 BAR)
41403-c	200 GPH AT 20 PSI	750 LPH AT 1.5 BAR	80 PSI (5.5 BAR)
41404-c	200 GPH AT 20 PSI	750 LPH AT 1.5 BAR	30 PSI (2.1 BAR)

COLOR CODE, c

c	SLEEVE COLOR	CAPS COLOR
1	BLACK	BLACK
2	RED	CLEAR
3	BLUE	CLEAR
4	PURPLE	CLEAR
5	GOLD	BLACK
6	GREEN	CLEAR

UNLESS OTHERWISE SPECIFIED:
 INTERPRET DWG PER ANSI Y14.5
 DIMENSIONS ARE IN INCHES
 TOLERANCES:
 FRACTIONAL: ±1/64"
 ANGULAR: ±1/2°
 DECIMALS:
 X±.1 .XX±.03 .XXX±.010
 SURFACE FINISH 128 OR BETTER
 BREAK ALL SHARP EDGES .010 MAX
 REMOVE ALL BURRS

THIRD ANGLE PROJECTION

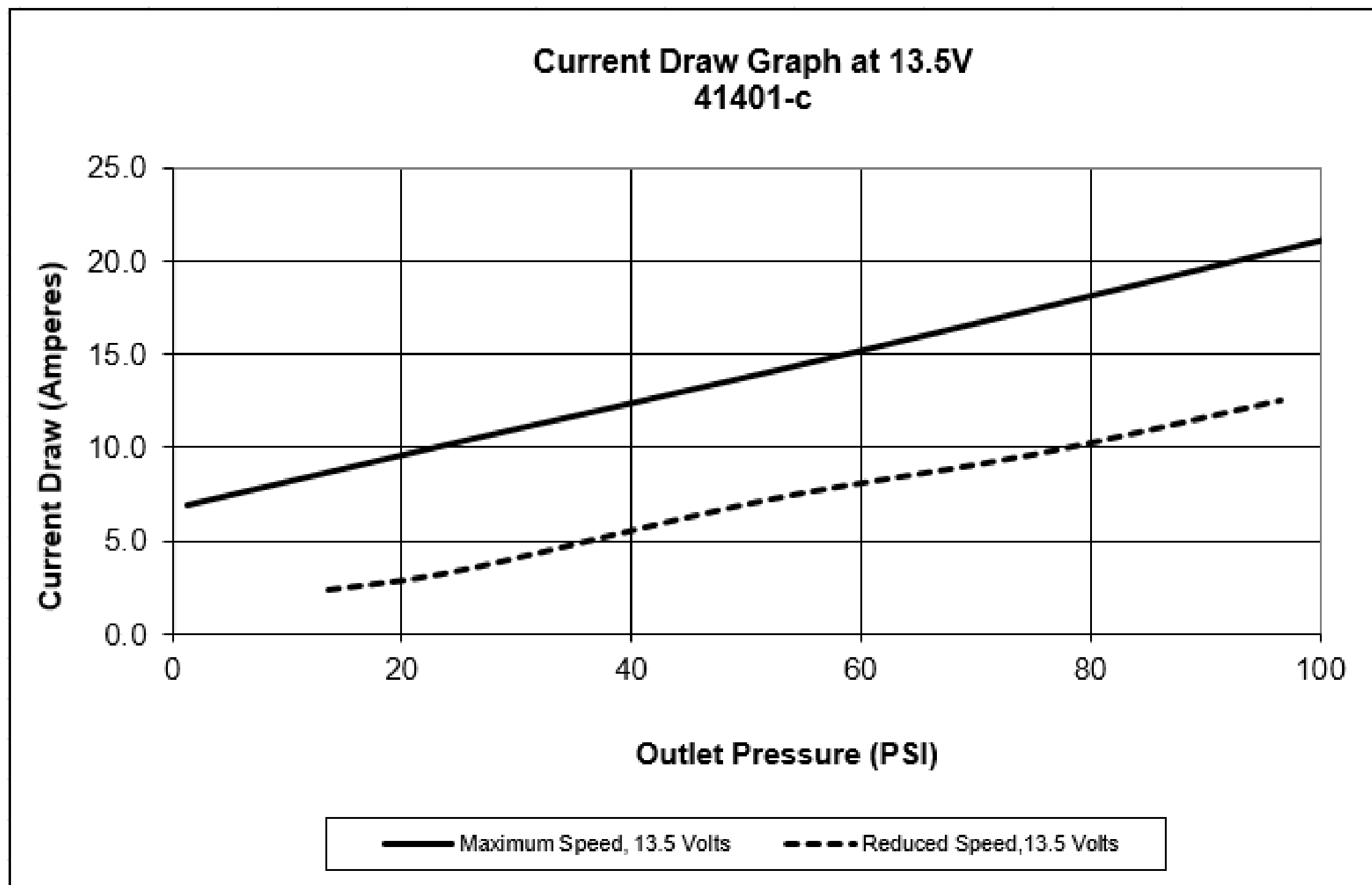
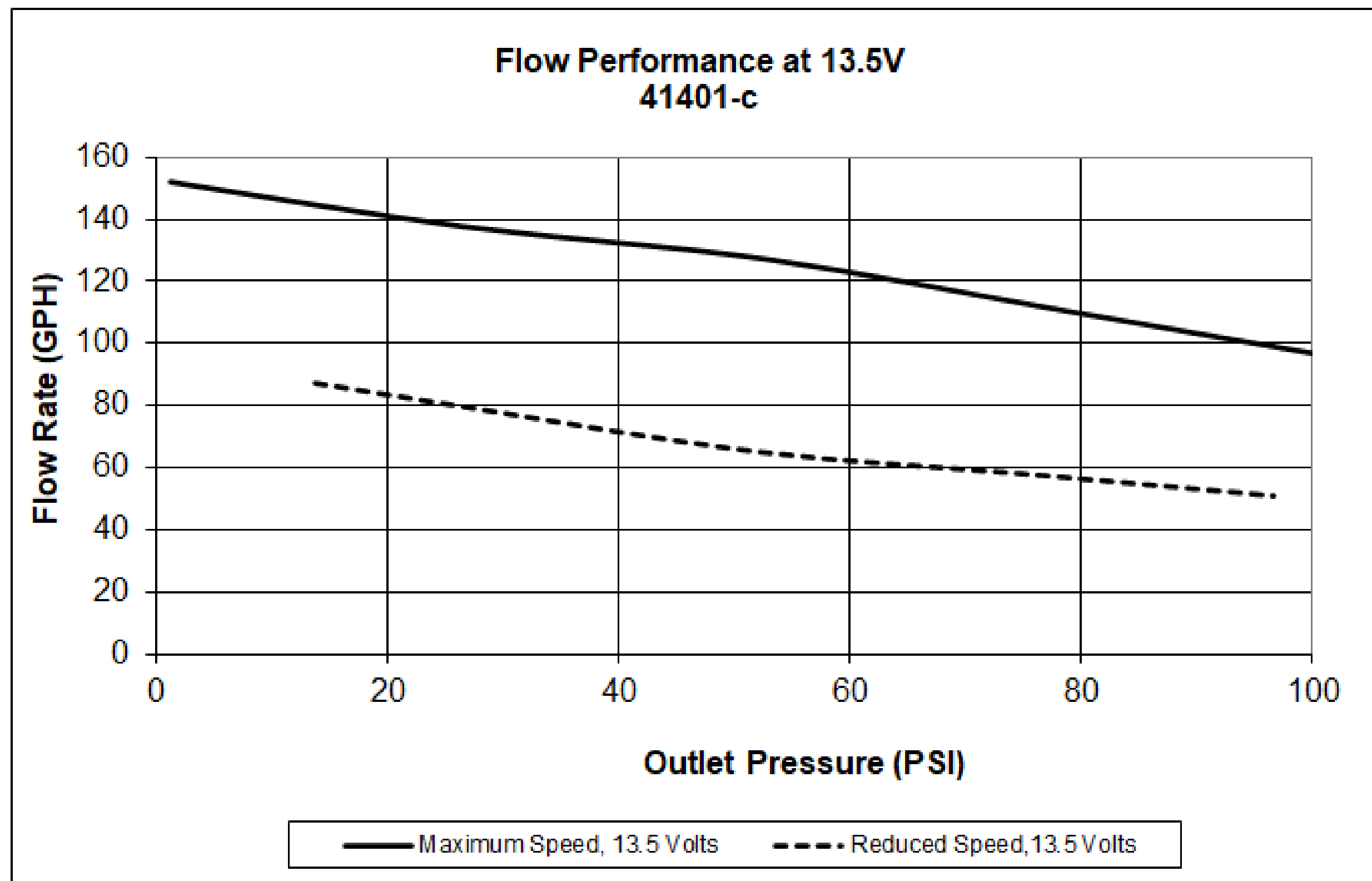
DO NOT SCALE DRAWING

FUELAB
 DIGITAL FUEL DELIVERY
 Collinsville, Illinois

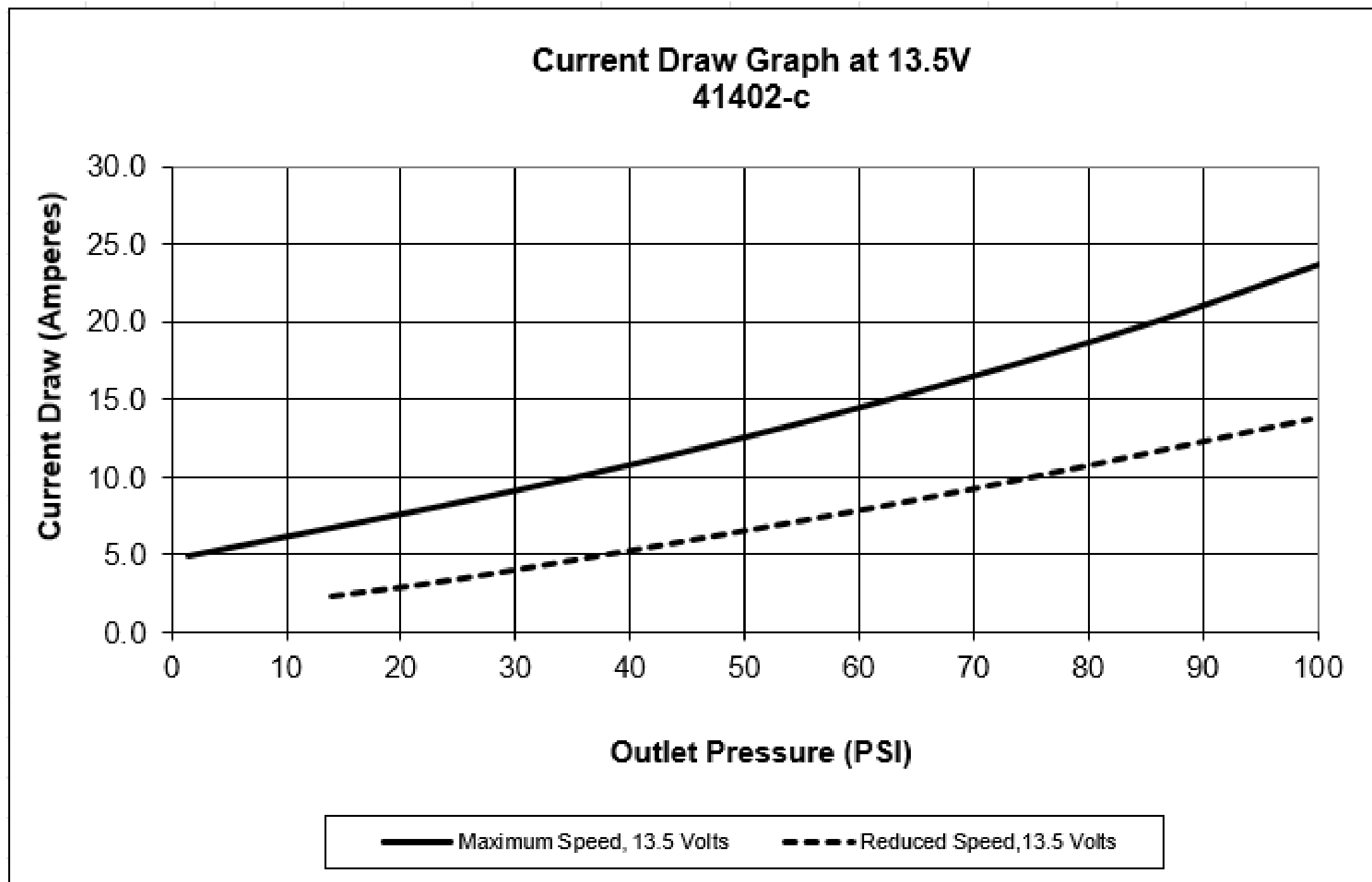
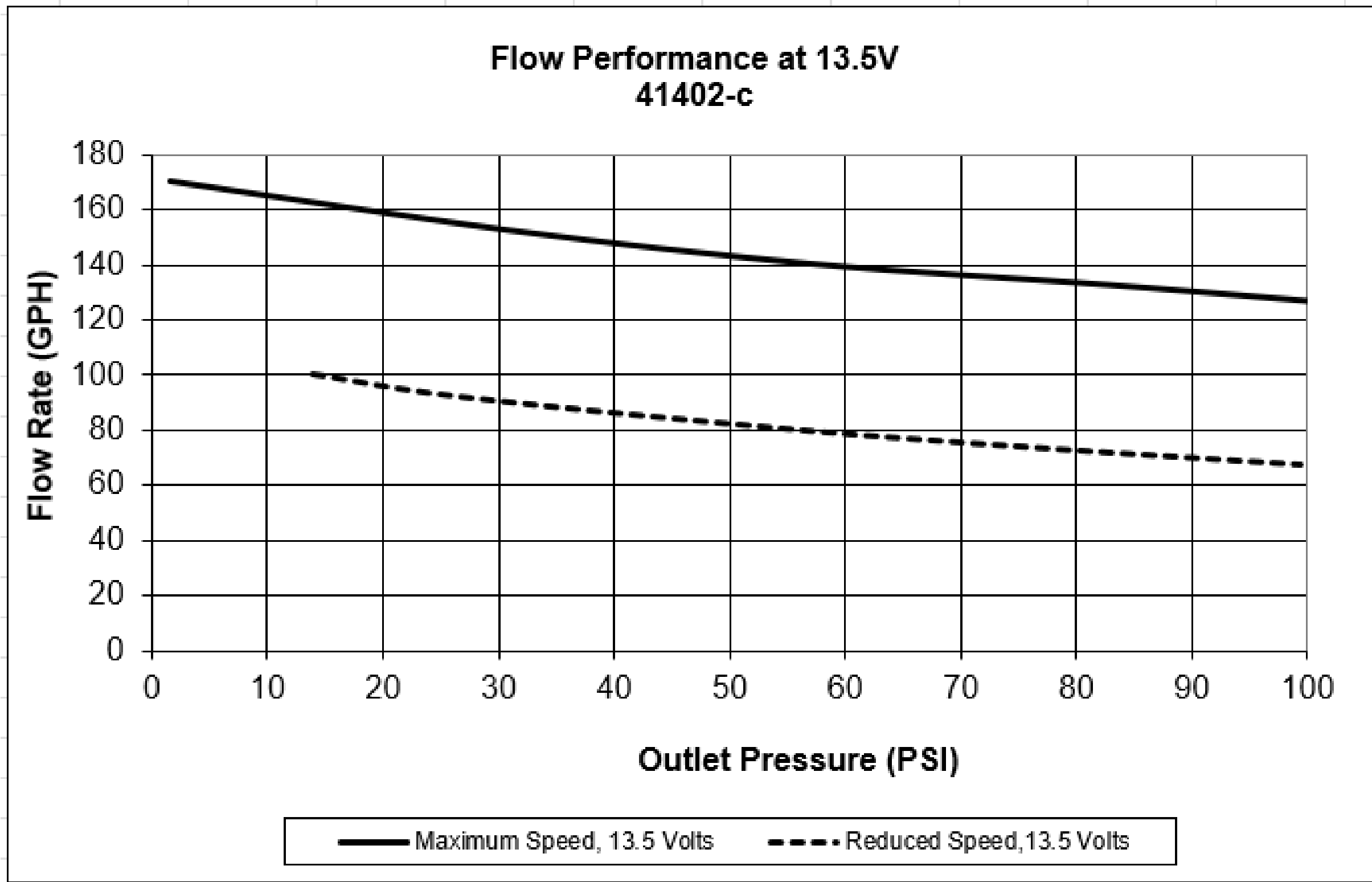
TITLE:
**ELECTRONIC FUEL PUMP,
 414xx SERIES**

SIZE	DWG. NO.	REV
C	110020100	C

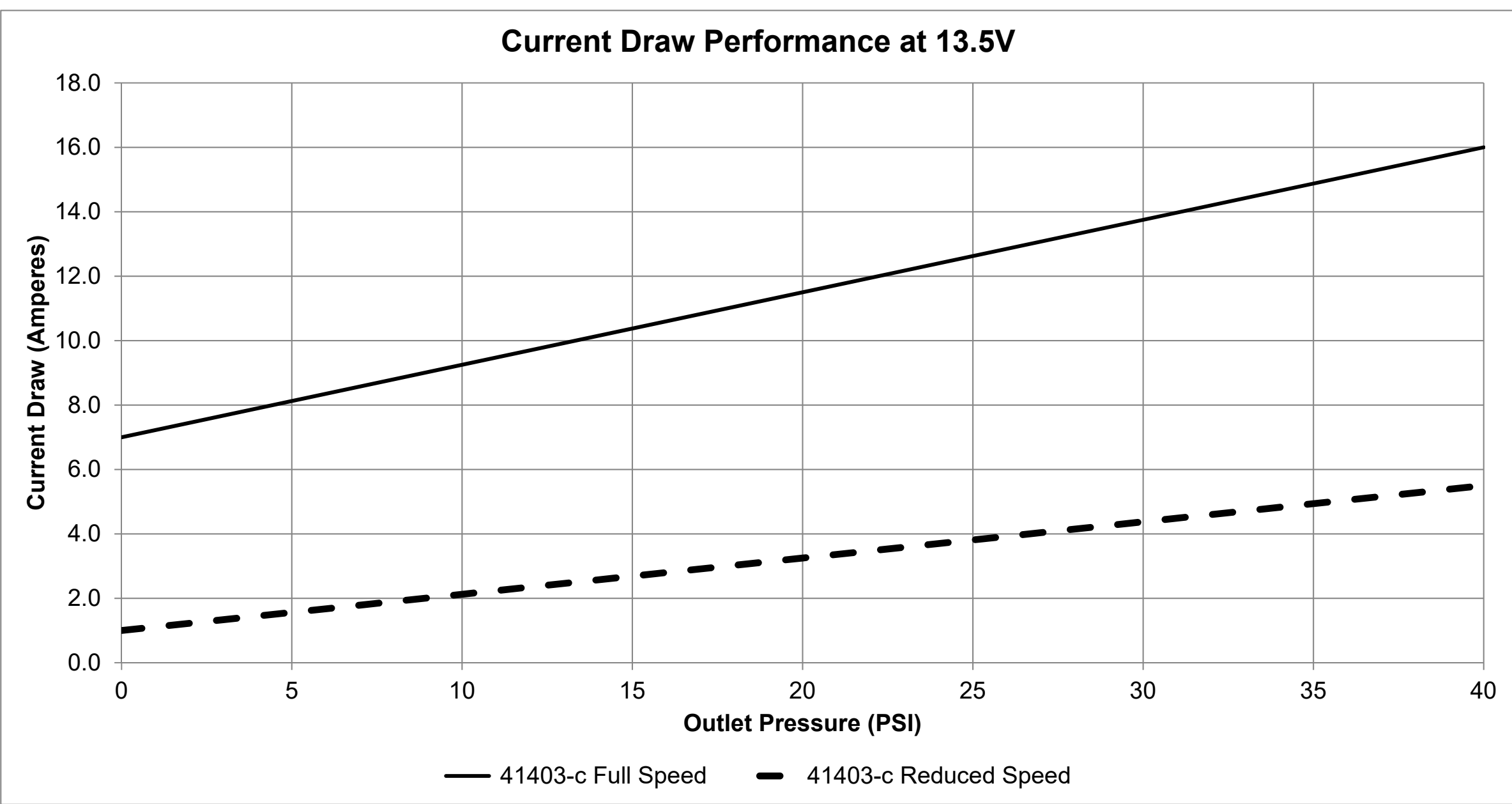
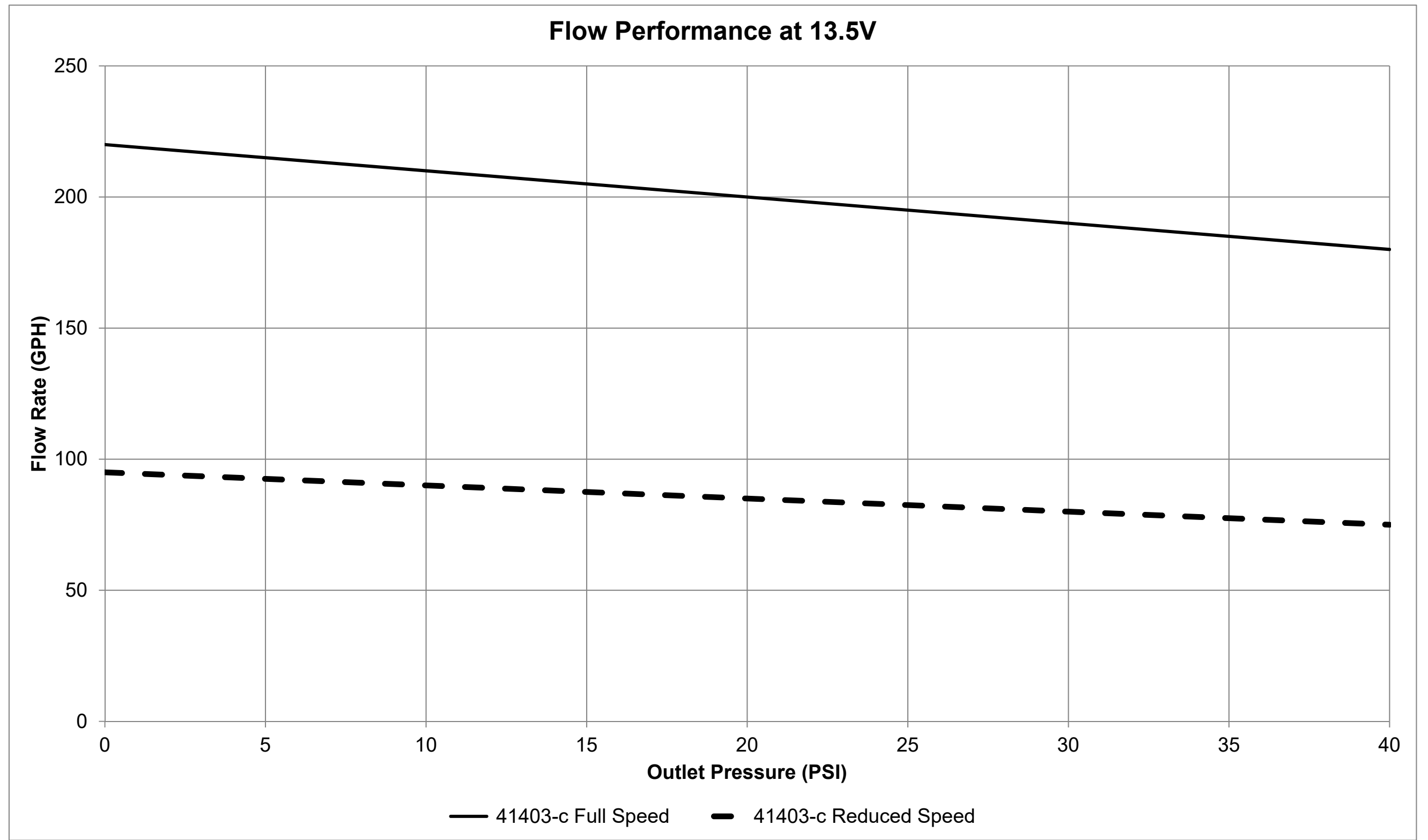
SCALE: 1/1 WEIGHT: 2.4 LB SHEET: 1 OF 5



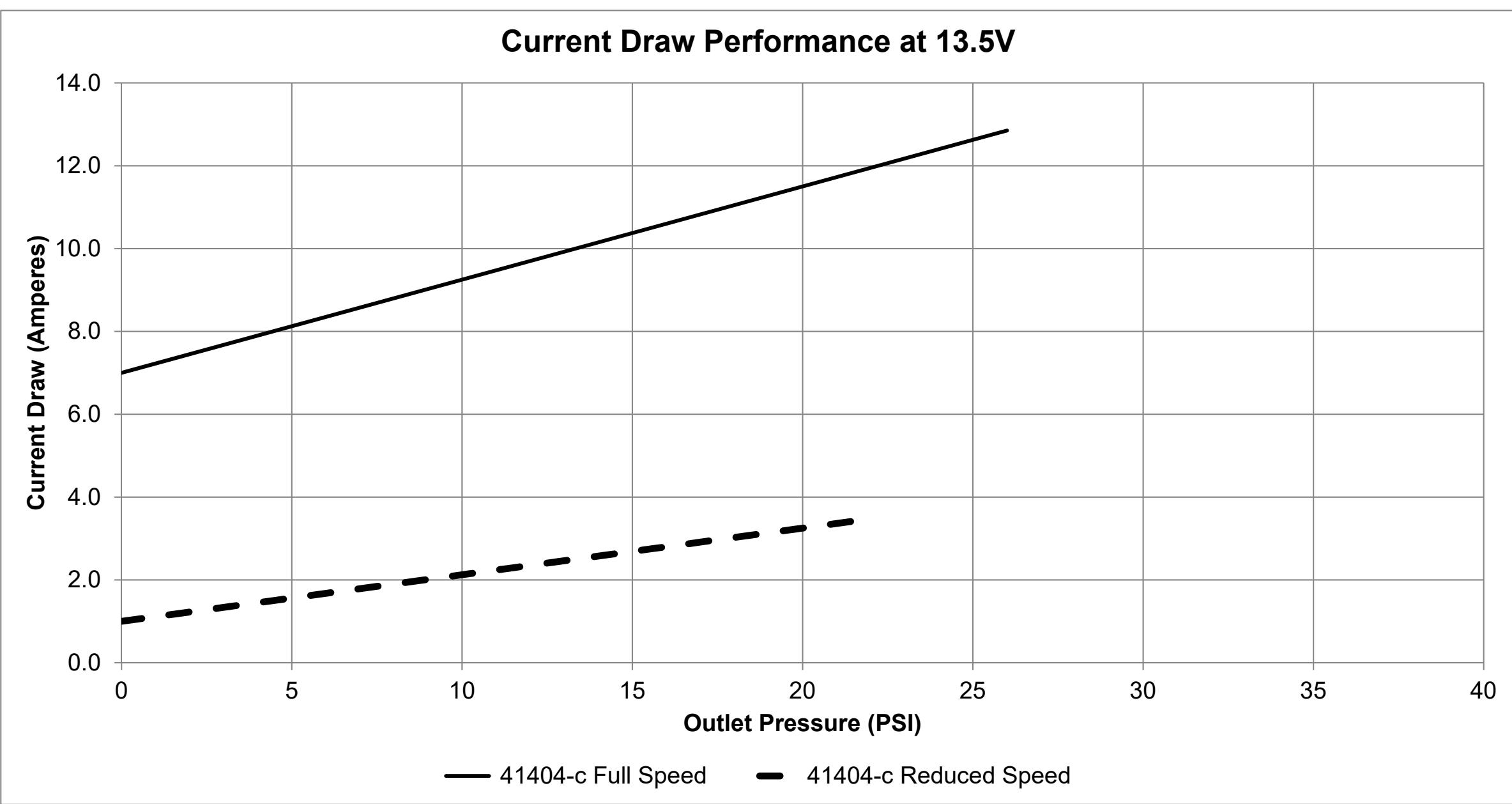
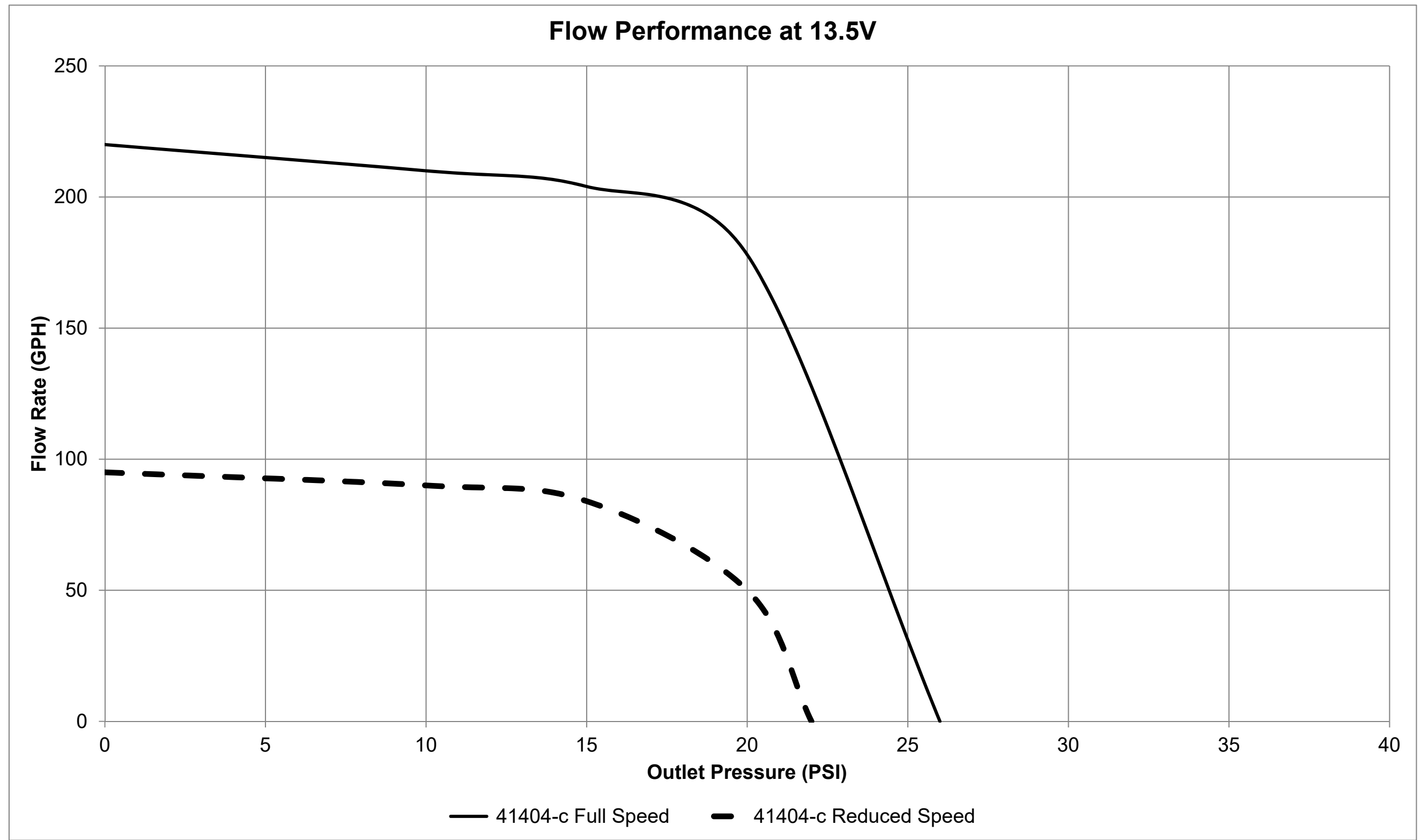
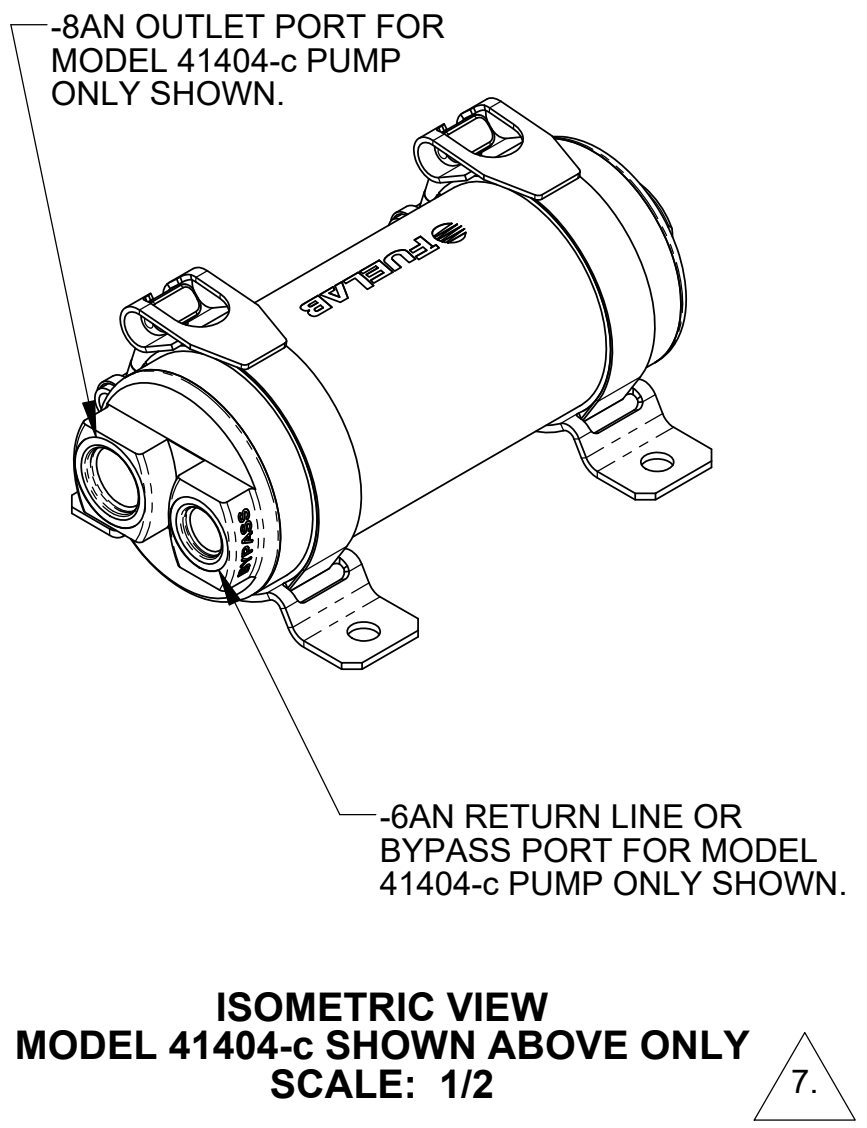
UNLESS OTHERWISE SPECIFIED: INTERPRET DWG PER ANSI Y14.5 DIMENSIONS ARE IN INCHES TOLERANCES: FRACTIONAL: ±1/64" ANGULAR: ±1/2° DECIMALS: .X ±.1 .XX ±.03 .XXX ±.010 SURFACE FINISH: 128 OR BETTER BREAK ALL SHARP EDGES .010 MAX. REMOVE ALL BURRS		FUELAB <small>DIGITAL FUEL DELIVERY</small> Collinsville, Illinois	
TITLE: ELECTRONIC FUEL PUMP, 414xx SERIES			
SIZE C	DWG. NO. 110020100	REV C	
SCALE: 1/1		WEIGHT: 2.4 LB	SHEET: 2 OF 5



UNLESS OTHERWISE SPECIFIED: INTERPRET DWG PER ANSI Y14.5 DIMENSIONS ARE IN INCHES TOLERANCES: FRACTIONAL: ±1/64" ANGULAR: ±1/2° DECIMALS: X±1 .XX±.03 .XXX±.010 SURFACE FINISH: 128 ✓ OR BETTER BREAK ALL SHARP EDGES .010 MAX. REMOVE ALL BURRS		FUELAB <small>DIGITAL FUEL DELIVERY</small> Collinsville, Illinois	
TITLE: ELECTRONIC FUEL PUMP, 414xx SERIES			
SIZE C	DWG. NO. 110020100	REV C	
SCALE: 1/1		WEIGHT: 2.4 LB	SHEET: 3 OF 5



UNLESS OTHERWISE SPECIFIED: INTERPRET DWG PER ANSI Y14.5 DIMENSIONS ARE IN INCHES TOLERANCES: FRACTIONAL: ±1/64" ANGULAR: ±1/2° DECIMALS: X±1 .XX±.03 .XXX±.010 SURFACE FINISH: 128 ✓ OR BETTER BREAK ALL SHARP EDGES .010 MAX. REMOVE ALL BURRS		FUELAB Digital Fuel Delivery Collinsville, Illinois	
TITLE: ELECTRONIC FUEL PUMP, 414xx SERIES			
SIZE C	DWG. NO. 110020100	REV C	
SCALE: 1/1		WEIGHT: 2.4 LB	SHEET: 4 OF 5



UNLESS OTHERWISE SPECIFIED:
 INTERPRET DWG PER ANSI Y14.5
 DIMENSIONS ARE IN INCHES
 TOLERANCES:
 FRACTIONAL: ±1/64"
 ANGULAR: ±1/2°
 DECIMALS:
 X±1 .XX±.03 .XXX±.010
 SURFACE FINISH 128 ✓ OR BETTER
 BREAK ALL SHARP EDGES .010 MAX.
 REMOVE ALL BURRS

THIRD ANGLE PROJECTION

DO NOT SCALE DRAWING

FUELAB
 DIGITAL FUEL DELIVERY
 Collinsville, Illinois

TITLE:
**ELECTRONIC FUEL PUMP,
 414xx SERIES**

SIZE	DWG. NO.	REV
C	110020100	C

SCALE: 1/1 WEIGHT: 2.4 LB SHEET: 5 OF 5